



**Perma Tech, Inc.**

*"Your Single Source for ALL Your Loading Dock Needs"*

## Perma 300 CS

### Cold Storage High Speed Door

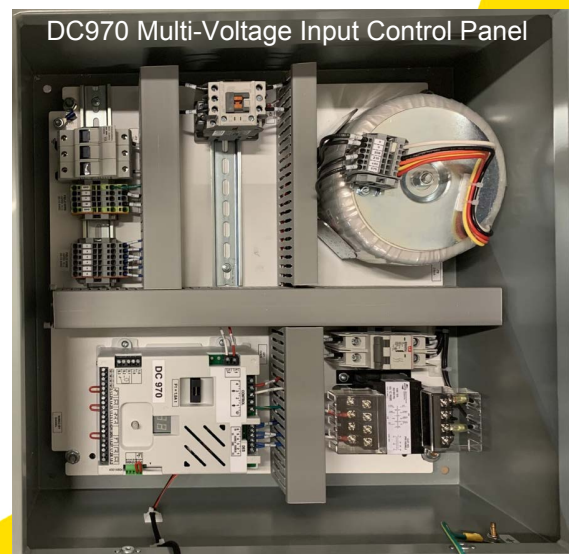
#### Features & Specifications:

- Heated Air Curtain
- Inverter drive with soft start/stop and fully adjustable open/close speeds up to 98 inches per second
- Self regulating heat trace cable in side columns
- Two sets of through-beam photo eyes
- Gravity door with no cables, straps, or springs
- Full access two-piece aluminum side columns
- Wireless Pneumatic reversing edge
- Wireless break-away bottom bar with sensors to stop the door
- Simple diagnostic troubleshooting
- 3" full perimeter brush seal
- Standard absolute encoder



*NEMA 4-12 Control panel with multi-tap transformer compatible with 208v-240v, 460v-480v and 575v-600v in single phase*

**Sales & Service:**



Perma Tech Inc. | 363 Hamburg Street | Buffalo, NY 14204  
P: (800) 362-7325 | F: (716) 854-0774 | PermaTechInc.com

# Perma 300 CS - Cold Storage High Speed Door

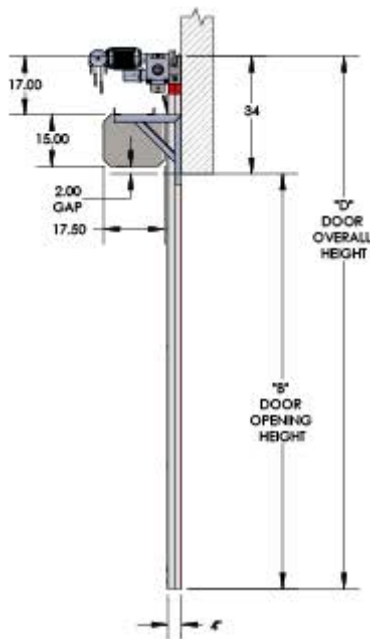
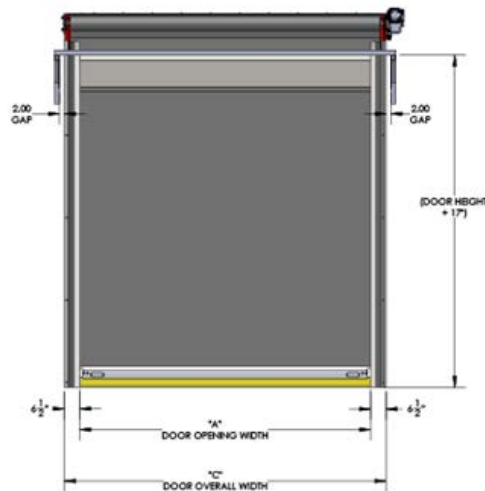
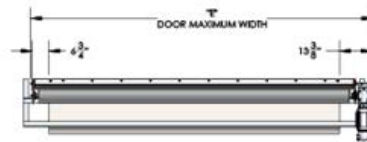
## Standard Material:

- Freezer temperature rated 2 mm thick 2-ply PVC in gray



## Maximum Dimensions:

- Up to 20' high
- Up to 20' wide



## Optional Upgrades

- Safe drive motor/gearbox w/standard crank override or chain hoist
- Top roll cover - Standard or slanted
- Drive unit cover - Standard or slanted
- NEMA 4x control panel
- Velcro Port hole windows

